

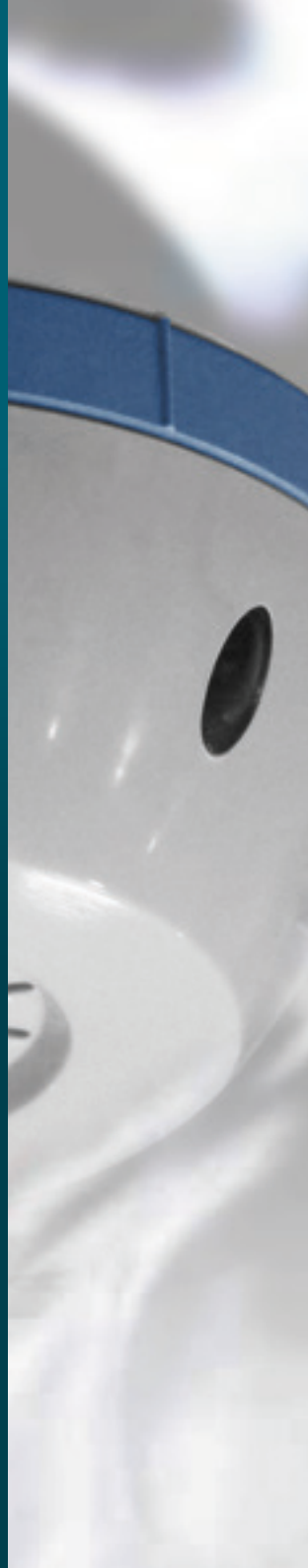


**DURAN**<sup>®</sup>  
**electrónica**

[www.duranelectronica.com](http://www.duranelectronica.com)



Certificado nº FS82426



Presentation  
**DURPARK**

# CO & NO<sub>2</sub> DETECTION IN UNDERGROUND CAR PARKS & GARAGES



 **DURPARK**

**DURPARK** Mini

CONTROL UNIT

CONFIGURATIONS

CONNECTIONS

DETECTORS

- Expandable from one to four module lines, totally independent.
- A non expandable DURPARK Mini version of one module line, is available.
- Simultaneous detection of CO & NO<sub>2</sub> in the same loop.
- 16 addressable detectors per module line, with possibility of programming up to 2 groups, with independent actuating levels.
- Covers areas up to 12.800m<sup>2</sup> (according to current regulations).
- Each detector is individually monitorized, showing its state in real time.
- Detectors can be put in test mode, so they will not trigger a maneuver if they are faulty or lacking maintenance.
- Programmed according to Spanish or Portuguese standards and allows selecting spanish, portuguese and english languages.
- Two voltage free relay outputs, for actuating and one for alarm, individual per module line, plus one general fault output.
- Every module line has a capacity to memorize 14 different event types, up to a total of 999 of each type.
- Special line test that checks the status, quantity and type of detectors connected.
- Independent access to user and engineer menus, password protected.

CONTROL UNIT

CONFIGURATIONS

CONNECTIONS

DETECTORS

## DISPLAY INFORMATION IN ON MODE

GROUP NUMBER  
INFORMATION,  
GR1 OR GR2

GAS ASSIGNED TO  
GROUP,  
CO OR NO<sub>2</sub>

LOCKED KEYPAD  
SYMBOL

INFORMATION OF VENTILATION  
STATUS PER GROUP. AUTO-STOP-  
MANUAL-VENT-1 VENT.2 OR MAX  
ALTERNATING ONLY WHEN THE  
READING MODE IS PROGRAMMED TO  
MAXIMUMS READING MODE

GR1

CO

#

AUTO

D01

000PPM

Nve1

NUMBER OF  
DETECTOR,  
FROM 01 TO 16

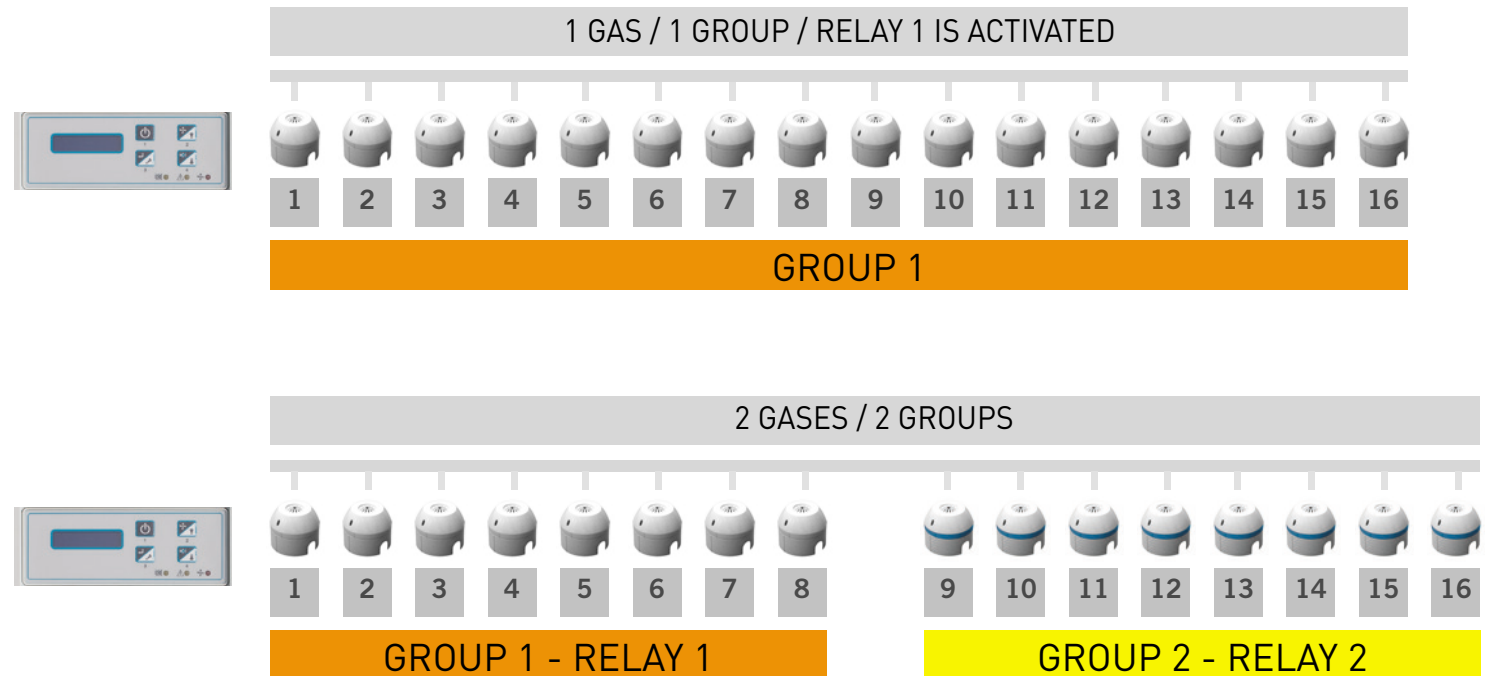
DETECTOR  
CONCENTRATION IN  
PPM AND AUXILIARY  
MESSAGES, ERROR-  
SATURATION

INFORMATION OF THE ACTIVATION  
LEVELS REACHED  
LV1-LV2-NA-INH

## MODULE LINE CONFIGURATIONS: SPANISH STANDARD

Each module line can be divided into 1 or 2 groups/gases (each one provided of 1 actuation relay) controlling 1 or 2 actuating levels independently.

Each group can only include detectors for the same gas.



CONTROL UNIT

CONFIGURATIONS

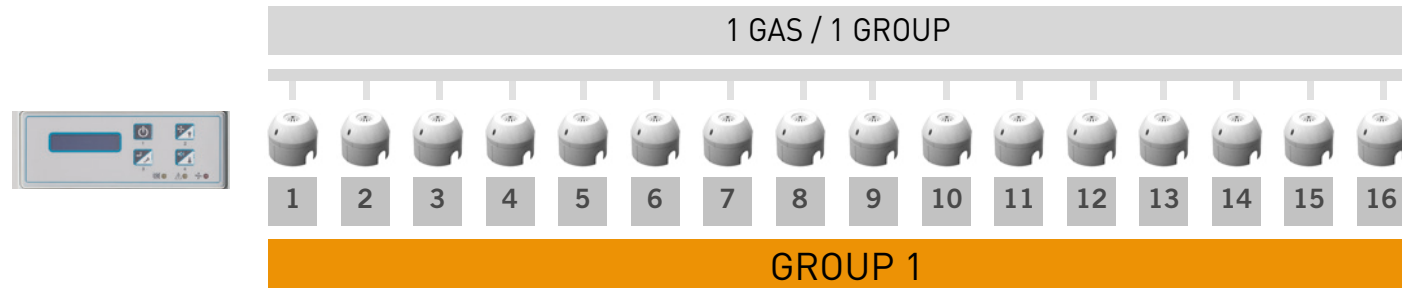
CONNECTIONS

DETECTORS

POSSIBLE MODULE LINE CONFIGURATIONS

## MODULE LINE CONFIGURATIONS: PORTUGUESE STANDARD

Each module line can control 1 gas/ 1 group (CO or NO<sub>2</sub>).



Activates relay 1 for 1st speed ventilation  
Activates relay 2 for 2nd speed ventilation

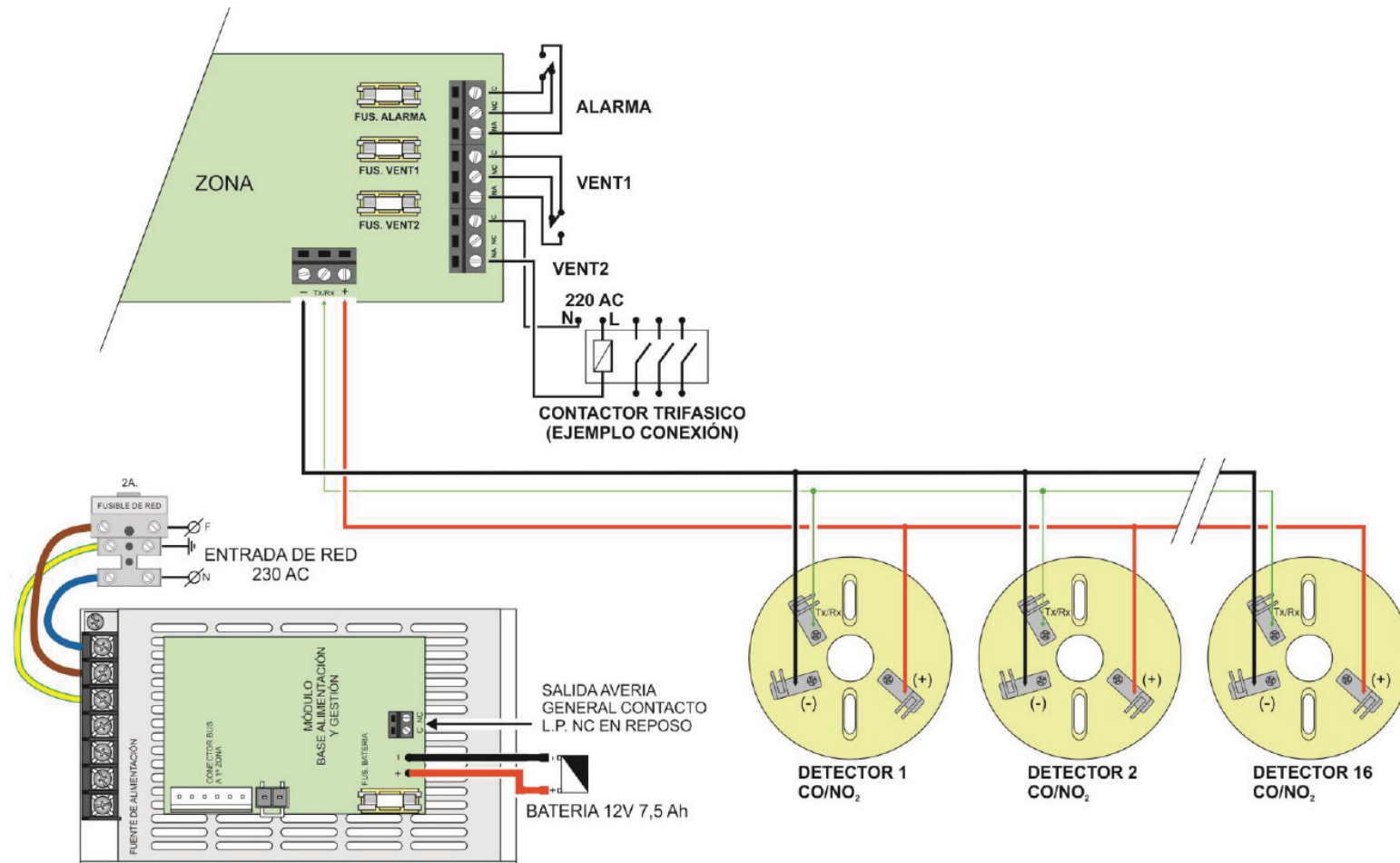
# DURPARK CONTROL UNIT CONNECTIONS

CONTROL UNIT

CONFIGURATIONS

CONNECTIONS

DETECTORS



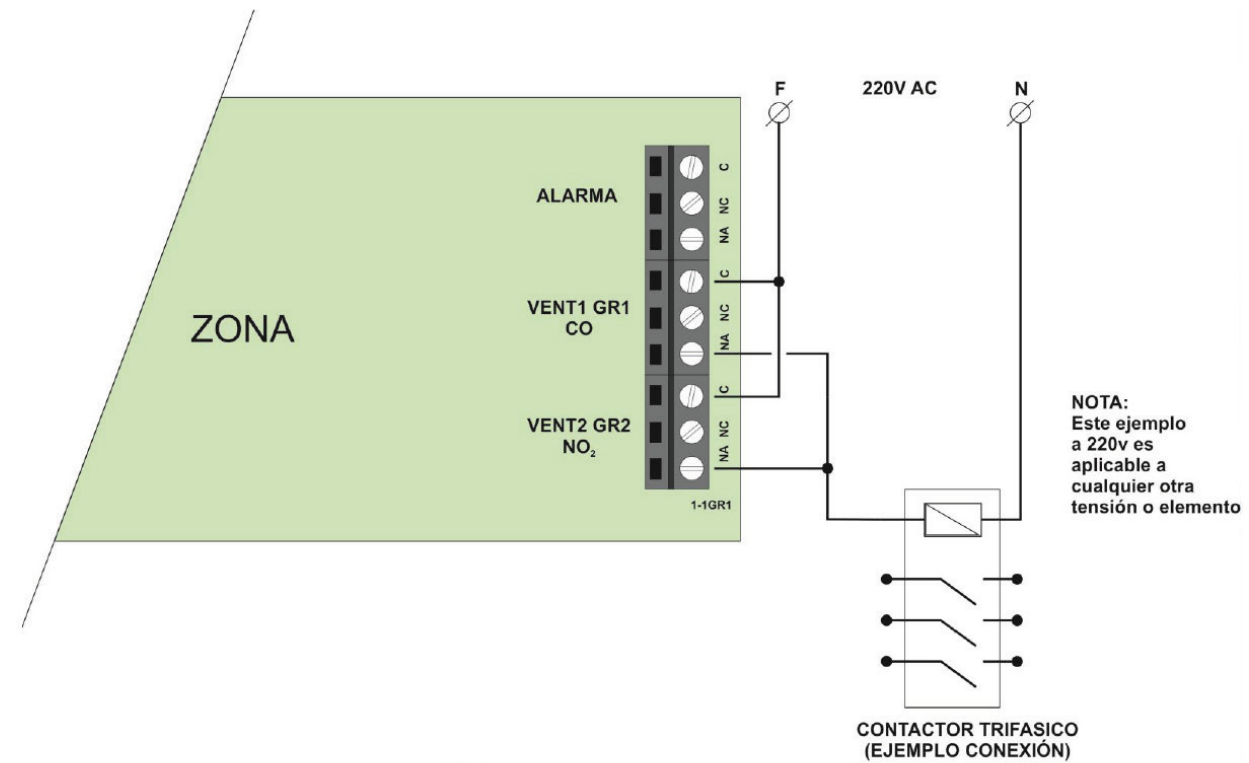
CONTROL UNIT

CONFIGURATIONS

CONNECTIONS

DETECTORS

## PARALLEL CONNECTION OF CO & NO<sub>2</sub> RELAYS TO A SINGLE ACTUATION





CONTROL UNIT

CONFIGURATIONS

CONNECTIONS

DETECTORS

## DURPARK



**CO DETECTOR**



**NO<sub>2</sub> DETECTOR**

## CO & NO<sub>2</sub> DETECTORS USING LOW COST ELECTROCHEMICAL SENSOR

- Provided of a new type of electrochemical sensor without electrolyte.
- Useful life longer than 5 years with almost no maintenance.
- Two addressable models available: CO with measuring range of 0-300 ppm and a resolution of 1 ppm / NO<sub>2</sub> with measuring range of 0-20 ppm and a resolution of 0,5 ppm.
- Three wire connection up to a maximum installation distance of 500m.
- Simple and automatized calibration and maintenance procedures. Software is included, with algorithms that interacts with the detectors and module line to automatically calibrate gain and zero.
- Special hardware and software that allow verifying the sensitivity of the sensor without the need to apply gas.
- Low sensitivity to interfering gases.



**DURAN**<sup>®</sup>  
electrónica



Certificado nº FS82426